

# GRIPS

## ISO<sup>®</sup>-GRIPS OR ISO<sup>®</sup>-FLAME GRIPS

The most comfortable grips that everyone loves! Choose your style & add Custom Grip Accessories to personalize your ride. Flip the page to select your motorcycle specific application.

*Grip Fitment Chart Found on Page 62*

## CONTENTS

GRIPS	61
LEVERS	63
CONTROL COVERS	65
HANDLEBAR ACCESSORIES	68
MIRRORS	71



Sold in pairs.  
**\$69.99**



*Stylize Your Grips How You Like Them!*

## END CAPS, ACCENT RINGS & ISO<sup>®</sup>-THROTTLE BOSS

Dress up your ISO-Grips the way you want! Add our ISO-Throttle Boss for comfort or some custom end caps or accent rings & give your bike that truly unique look. We offer Stiletto, Maltese Cross, & Standard End Caps & Accent Rings in multiple colors to fit your liking. Go Wild!

See pages 63 -64 for all these accessory parts.



ISO-Throttle Boss

Accent Rings



Stiletto End Caps

Maltese Cross End Caps

# ISO<sup>®</sup> & ISO<sup>®</sup>-FLAME GRIPS

GRIPS

Sold in pairs.

**\$69.99**



## ISO<sup>®</sup>-FLAME GRIPS

Our ISO-Flame Grips have a unique flamed pattern in the soft & cushy rubber pads. Finished off with a Maltese Cross emblazoned end cap & trim ring for that additional bad attitude look. This grip accepts our wildly popular ISO-Throttle Boss, which greatly aids your hand on those long rides to the next rally. Refer to chart on right for motorcycle specific part number.

## ISO<sup>®</sup>-GRIPS

U.S. Patent # Des. 411,432

Combining great style & comfort, these grips provide a soft, non-slip surface that dampens operating vibration. Recessed area between the ISO-Pads permit air movement for added comfort in hot weather. The knurled Accent Rings add a touch of class.

Refer to chart on right for motorcycle specific part number.

Sold in pairs.

**\$69.99**



## UNIVERSAL ISO<sup>®</sup>-GRIPS & ISO<sup>®</sup>-FLAME GRIPS

U.S. Patent # Des. 411,432

Just about any popular Cruiser can be fit with the incredibly comfortable Küryakyn ISO & ISO-Flame Grips. These grips are available for both 7/8" & 1" bars. The stock throttle sleeve is re-used. An easily cut spacer is included to accommodate bars of differing lengths. Super hi-strength adhesive & easy step-by-step installation instructions are included.

<b>6240</b>	<b>Universal ISO-Grips for 1" Handlebars (pr)</b>	<b>\$69.99</b>
<b>6241</b>	<b>Universal ISO-Grips for 7/8" Handlebars (pr)</b>	<b>\$69.99</b>
<b>6262</b>	<b>Universal ISO-Flame Grips for 1" Handlebars (pr)</b>	<b>\$69.99</b>
<b>6263</b>	<b>Universal ISO-Flame Grips for 7/8" Handlebars (pr)</b>	<b>\$69.99</b>

Note: Installation of Küryakyn Universal Grips P/N 6240, 6241, 6262, 6263 requires removal of any ribs on OEM throttle sleeves.

Cruiser Model      Years      ISO-Grips      ISO-Flame Grips

Honda GoldWing			
GoldWing 1800	All	6180	N/A
GoldWing 1800 with OEM Heated Grips*	'06-'08	6183	N/A
GoldWing 1500	All	6180	N/A
GoldWing 1000/1100/1200	All	6180	N/A

\*P/N 6183 priced at \$89.99

Cruiser Model      Years      ISO-Grips      ISO-Flame Grips

Honda			
Valkyrie (All Models)	All	6190	N/A
Shadow Aero 1100	'98-'03	6236	6262
Shadow Sabre 1100	'00-'07	6236	6262
Shadow Spirit 1100	'97-'07	6236	6262
Shadow Ace Tourer 1100	'98-'03	6236	6262
Shadow Ace 750 Deluxe	'98-'03	6240	6262
Shadow Ace 750	'98-'03	6240	6262
Shadow 750 Aero	'04-'08	6240	6262
Shadow Spirit 750	'00-'08	6240	6262
VLX Deluxe 600	'96-'07	6236	6262
VLX 600	'96-'07	6236	6262
Magna	'94-'04	6236	6262
VTX1800 (All)	'02-'08	6240	6262
VTX1300 (All)	'03-'08	6240	6262
Rune	'04-'07	6240	6262

Yamaha			
Road Star (All Models)	'99-'08	6235	6261
Road Star Warrior	'02-'08	6235	6261
V Star 1100 Classic/Custom	'99-'08	6235	6261
V Star 1300	'07-'08	6235	6261
V Star 650 Classic/Custom	'98-'08	6235	6261
Roadliner	'06-'08	6235	6261
Stratoliner	'06-'08	6235	6261
Royal Star & Venture	All	6235	6261
Raider	'08	6235	6261

Kawasaki			
Vulcan 2000 (All Models)	'04-'08	6235	6261
Vulcan 1600 (All Models)	'03-'08	6235	6261
Vulcan 1500 (All Models)	All	6235	6261
Mean Streak (All Models)	All	6235	6261
Vulcan 800 (All Models)	'95-'06	6235	6261
Vulcan 900 Custom	'07-'08	6235	6261
Vulcan 900 Classic	'07-'08	6235	6261

Suzuki			
M109R & C109 (All Models)	'06-'08	6235	6261
Intruder LC 1500/Boulevard C90	'98-'08	6235	6261
Intruder 1400/Boulevard S83	'95-'08	6240	6262
Intruder 800/Boulevard S50	'95-'08	6240	6262
Volusia 800/Boulevard C50	'01-'08	6235	6261
Marauder 800/Boulevard M50	'01-'08	6235	6261

Note: Installation of Küryakyn Universal Grips P/N 6240, 6241, 6262, 6263 requires removal of any ribs on OEM throttle sleeves. If you desire bar end weights, P/N 6249 is an excellent option. [See page 63]

Cruiser Model      Years      ISO-Grips      ISO-Flame Grips

Victory			
All Models (ex. Vision)	All	6235	6261
Triumph			
Bonneville	All	6236	N/A
Bonneville America	All	6236	N/A
Bonneville T100	All	6236	N/A
Rocket III	All	6236	N/A
Speedmaster	All	6236	N/A

GRIPS

*GoldWing Levers  
See Page 16*

## Honda

<b>7421</b>	<b>Models with Cable Operated Clutches</b> '88-'07 Shadow VT600 '98-'08 Shadow VT750 (All Models) '94-'04 Magna 750 '91-'06 Nighthawk CB750 '95-'07 Shadow VT1100/C2/C2-2/T '97-'07 Shadow VT1100C '03-'08 VTX1300 (All Models) '04-'08 Shadow VT750 Aero/Spirit
<b>7429</b>	<b>Models with Hydraulic Clutches</b> '85-'96 Shadow VT1100C '97-'04 Valkyrie (All Models ex. Rune) '02-'08 VTX1800 (All Models)

## Yamaha

<b>7417</b>	'98-'08 V Star 650 Custom '99-'08 V Star 1100 Custom
<b>7418</b>	'99-'08 Road Star 1600/1700 (All Models) '02-'08 Road Star Warrior
<b>7419</b>	'98-'08 V Star 650 Classic '99-'08 V Star 1100 Classic '07-'08 V Star 1300

## Kawasaki

<b>7425</b>	'90-'08 Vulcan 500 All ZL600 Eliminator '95-'06 Vulcan 800 (All Models) '04-'08 Vulcan 2000 '07-'08 Vulcan 900 Custom '07-'08 Vulcan 900 Classic
<b>7426</b>	'91-'06 Vulcan 750
<b>7427</b>	'87-'08 Vulcan 1500 (Including Mean Streak) '03-'08 Vulcan 1600 (Including Mean Streak)

## Suzuki

<b>7423</b>	'88-'91 Intruder 750 '87-'08 Intruder 1400/Boulevard S83
<b>7424</b>	'92-'08 Intruder 800/Boulevard S50
<b>7425</b>	'97-'06 Marauder 800/Boulevard M50 '01-'06 Volusia 800/Boulevard C50
<b>7427</b>	'98-'06 Intruder 1500LC/Boulevard C90 '04-'06 Marauder 1600/Boulevard M95

## WIDE STYLE LEVERS for Metric Cruisers

These chrome levers are wider & more comfortable than stock. Let us just say - replace your stock levers today!

All Lever Pairs **\$36.99**



## MALTESE CROSS END CAPS

Replacements for ISO-Flame Grips or styling update for ISO-Grips. Includes standard length screws.

**6245** | Pair | \$24.99



## ISO®-GRIP END CAPS

Replacements for ISO-Grips or styling update for ISO-Flame Grips. Includes standard length screws.

**6243** | Pair | \$24.99

**6244** | Each | \$12.99

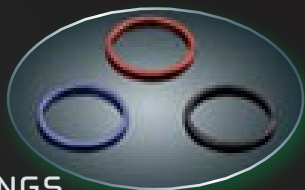


## SMOOTH ACCENT RINGS

**6264** | Black (pr) | \$8.99

**6265** | Red (pr) | \$8.99

**6266** | Blue (pr) | \$8.99



## STILETTO™ END-CAPS

Simply replaces existing end cap on Kuryakyn ISO-Grips. Installation is a breeze. Screws supplied for use with or without ISO-Throttle Boss.

**6249** | Stiletto End Caps for ISO-Grips (pr) | \$39.99

Note: Works as bar end weights.



## ISO®-CAPS WITH LEATHER FRINGE

from Iron Braid

Add a little flair to your ISO-Grips with these top grade leather fringed end caps. 16" fringe complements fringed saddlebags, levers & jackets.

**6215** | ISO-Caps with Black Leather Fringe (pr) | \$59.99

## REPLACEMENT ACCENT RINGS

<b>6220</b>	Chrome Accent Rings (pr)	\$7.99
<b>6221</b>	Red Accent Rings (pr)	\$7.99
<b>6222</b>	Blue Accent Rings (pr)	\$7.99
<b>6223</b>	Gold Accent Rings (pr)	\$7.99
<b>6224</b>	Purple Accent Rings (pr)	\$7.99
<b>6225</b>	Green Accent Rings (pr)	\$7.99
<b>6226</b>	Black Accent Rings (pr)	\$7.99

## OPTIONAL LONGER SCREWS

Allows use of up to 3 accent rings (2 if used with Throttle Boss).

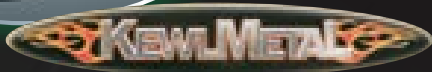
**6219** | Longer Stainless Screws (Set/8) | \$6.99

## KEWLOCK™ GRIP END HELMET LOCK

Add the Grip End Helmet Lock to your ISO-Grips or ISO-Flame Grips & have a convenient & safe place to put your helmet when you leave your bike. This trick little device adds both a locking helmet holder to the end of your grips as well as functions as a bar end weight to assist in stabilizing. Simply slide your helmet D-ring into the slot or use the provided helmet lock extension & lock it in.

**Fits:** Kuryakyn ISO-Grips or ISO-Flame Grips

6247	KewLock (ea)	\$39.99
6248	KewLock (pr)	\$79.99



## THE ISO®-THROTTLE BOSS™

Added to the popular Kuryakyn ISO-Grips, this little jewel can make all the difference in the world on a long ride. The Throttle Boss is a small adjustable paddle that is positioned under the palm of one's throttle hand. This allows the driver to slightly relax the grip on the gas & still maintain a constant speed.

6250	ISO-Throttle Boss (ea)	\$16.99
6253	ISO-Throttle Boss (pr)	\$29.99
6242	Extended ISO-Throttle Boss (1/4" Longer Than Standard ISO-Throttle Boss) (ea)	\$19.99

*Note: P/N 6250 & P/N 6253 do not work with GoldWing Heated ISO-Grips (P/N 6183).*



## CRAMPBUSTER CRUISE ASSIST

U.S. Patent # 4,875,386

The CrampBuster provides a way for comfortable throttle control & dramatically reduces the wrist fatigue often caused by long rides. RyKel's Acrylic compound cruise control fits on the throttle grip. No tools are required for installation.

### Narrow

6258	For 1" Bars Using 1-1/2" O.D. Grips (ea)	\$10.99
6259	For 7/8" Bars Using 1-1/8" O.D. Grips (ea)	\$10.99

### Wide

6254	For 1" Bars Using 1-1/2" O.D. Grips (ea)	\$10.99
6257	For 7/8" Bars Using 1-1/8" O.D. Grips (ea)	\$10.99

## UNIVERSAL THROTTLE BOSS™

Regardless of what type of bike you ride, the Throttle Boss will make riding any distance more comfortable. Designed to fit any type or size grip, the Throttle Boss can be installed in seconds to provide a cushioned platform for your palm. Removes quickly without tools.

**Fits:** Any application with twist grip throttle

6251	Universal Throttle Boss (ea)	\$10.99
------	------------------------------	---------



## THROTTLE ROCKER

The Throttle Rocker attaches to most any brand grip with a velcro strap & allows you to maintain a steady cruising speed without keeping a tight grip on the throttle.

**Fits:** Any application with twist grip throttle

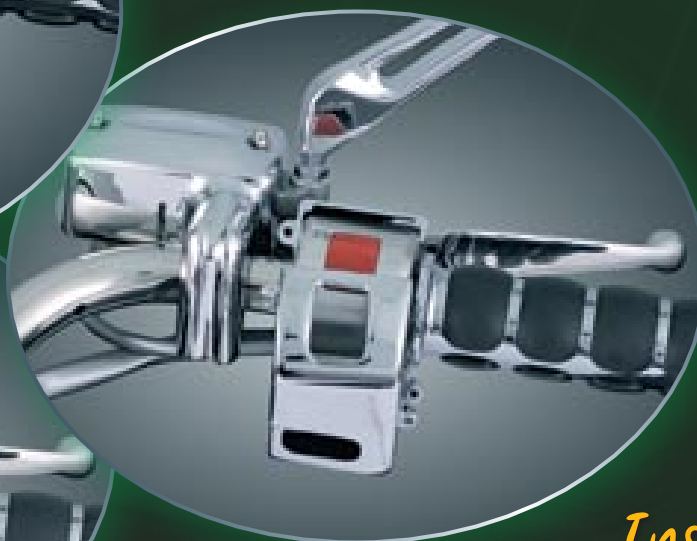
6255	Throttle Rocker, Right (ea)	\$10.99
6256	Throttle Rocker, Left (ea)	\$10.99



# CONTROL COVERS



**1** CHOOSE DESIRED COVERS



**2** ADJUST POSITION



**3** TIGHTEN SCREWS

*Easy Installation!*

*Add Clutch & Master Cylinder Covers for Fully Chromed Controls!  
See Pages 66 & 67*

## HANDLEBAR CONTROL COVERS

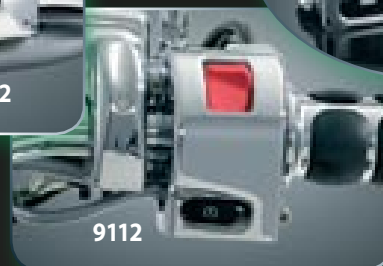
For Metric Cruisers

Patent Pending

Cover up unsightly housings & create a smooth, full-custom look with these clamshell-design chrome covers. They install easily & encapsulate the stock housings without interfering with control functions. They're an awesome accent to ISO-Grips & our custom mirrors. Offered for many applications with more on the way.

Sold As Sets:

<b>9124</b>	<b>Fits:</b> All '02-'08 VTX1800	<b>\$69.99</b>
<b>9184</b>	<b>Fits:</b> All '02-'08 VTX1300, all VLX600, all Shadow 750 Spirit/Ace/Aero & other Late Model Hondas without choke on left handlebar control	<b>\$69.99</b>
<b>9189</b>	<b>Fits:</b> Shadow 1100, '97-'04 Valkyrie (ex. Rune & Interstate) & other Late Model Hondas with choke on left handlebar control	<b>\$69.99</b>
<b>9112</b>	<b>Fits: Yamaha:</b> '99-'07 Road Star, all Road Star Warrior, V Star 650 Custom <b>Kawasaki:</b> Vulcan 2000, Mean Streak, all Vulcan 900 <b>Suzuki:</b> Marauder 1600/Boulevard M95	<b>\$69.99</b>
<b>9113</b>	<b>Fits: Yamaha:</b> V Star 1100 Custom	<b>\$69.99</b>
<b>9114</b>	<b>Fits: Yamaha:</b> V Star 1100 Classic/Silverado	<b>\$69.99</b>
<b>9117</b>	<b>Fits: Yamaha:</b> V Star 650 Classic/Silverado <b>Kawasaki:</b> '99-'08 Vulcan 1500, all Vulcan 1600	<b>\$69.99</b>





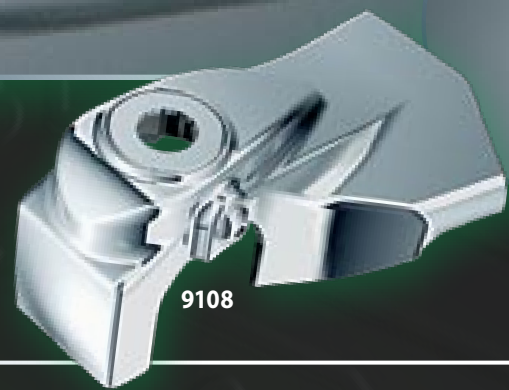
## CLUTCH PERCH COVER

A great addition to the rest of our products to cover your hand controls. Detail is often the difference between good & great. Our Perch Covers fit in that category! Installation is quick & easy.

<b>9108</b>	<b>Clutch Perch Cover (ea)</b> <b>Fits: Yamaha:</b> All '99-'08 Road Star, '02-'08 Road Star Warrior, '07-'08 V Star 1300, '99-'08 V Star 1100, & '98-'08 V Star 650 <b>Kawasaki:</b> All Vulcan 900/2000	<b>\$49.99</b>
<b>9194</b>	<b>Clutch Perch Cover (ea)</b> <b>Fits:</b> All '03-'08 VTX1300, '99-'08 Shadow 750 Ace/Aero/Spirit, '99-'07 Shadow 1100 Sabre/Spirit	<b>\$49.99</b>



*Quick & Easy Install!*



## MASTER CYLINDER COVERS for Vulcan 1500

The simple addition of these trick Master Cylinder Covers will really add sizzle to Vulcan hand controls. Easily installed with only two fasteners. You'll be stylin' in no time!

**Fits:** Clutch & Brake Master Cylinders on '96-'08 Vulcan 1500 Models

<b>7810</b>	<b>Master Cylinder Covers for '96-'97 Vulcan 1500 (pr)</b>	<b>\$49.99</b>
<b>7811</b>	<b>Master Cylinder Covers for '98-'08 Vulcan 1500 (pr)</b>	<b>\$59.99</b>



## MASTER CYLINDER RESERVOIR COVERS

This chrome Reservoir Cover is an eye-catching replacement that really perks up the master cylinder area.

<b>7800</b>	<b>Chrome Reservoir Cover (pr)</b> <b>Fits: Honda:</b> '02-'08 VTX1800 (All Models), '88-'07 GL1500, '01-'08 GL1800 <b>Yamaha:</b> '96-'01 Royal Star, '02 Royal Star Venture	<b>\$24.99</b>
<b>7802</b>	<b>Chrome Reservoir Cover (ea)</b> <b>Fits: Honda:</b> '02-'08 VTX1300 (All Models), '96-'07 VLX600, '01-'08 750 Spirit, '02-'04 750 Ace Deluxe, '04-'08 750 Aero, '96-'04 Magna, '97-'99 1100 Ace Tourer, '98-'07 1100 Spirit, '99 1100 Aero, '02-'07 1100 Sabre, '97-'04 Valkyrie (ex. Rune) <b>Yamaha:</b> '99-'08 Road Star 1600/1700, '02-'08 Road Star Warrior	<b>\$12.99</b>

# MASTER CYLINDER COVERS

As cool as the new Cruisers are, the handlebar controls leave a lot to be desired in the looks department. Our handlebar brake Master Cylinder Cover cures the problem in short order. Installation is quick & neat right over the stock lid. It's easy & it's cool!



9106

<b>9105</b>	<b>Master Cylinder Covers (ea)</b> Fits: All '98-'07 V Star 650 & '99-'07 V Star 1100	<b>\$39.99</b>
<b>9106</b>	<b>Master Cylinder Covers (ea)</b> Fits: All '99-'08 Road Star & '02-'08 Road Star Warrior	<b>\$39.99</b>
<b>9187</b>	<b>Master Cylinder Covers (ea)</b> Fits: All '03-'08 VTX1300, all '02-'08 VTX1800 (right side only), '99-'07 Shadow 1100, '99-'08 Shadow 750 Ace/Aero/Spirit, '99-'07 VLX600 Deluxe, '00-'07 VLX600, & '00-'03 Valkyrie	<b>\$39.99</b>
<b>7813</b>	<b>Brake Master Cylinder Cover (ea)</b> Fits: All '04-'08 Vulcan 2000, all '07-'08 Vulcan 900, '03-'08 Vulcan 1600 Models & Mean Streak	<b>\$49.99</b>
<b>1743</b>	<b>Clutch Master Cylinder Cover (ea)</b> Fits: All '03-'08 Vulcan 1600 Models & Mean Streak 	<b>\$49.99</b>



**Note:** Master Cylinder Covers (P/N 9106, 9187, 7813, & 1743) do not install with accessories that mount to clutch or brake perch bolts.

*Add Handlebar Control Covers for Fully Chromed Controls! See Page 65*



9188

9124

## DELUXE MASTER CYLINDER COVER SET for VTX1800

Designed specifically for the VTX1800, this set includes covers for both the handlebar brake & clutch master cylinders. These covers fit over the stock lids making installation quick, easy, & neat.

**Fits:** All '02-'08 VTX1800 Models

**9188 | Deluxe Master Cylinder Cover Set (pr) | \$69.99**

**Note:** Deluxe Master Cylinder Cover Set does not install with accessories that mount to clutch or brake perch bolts.

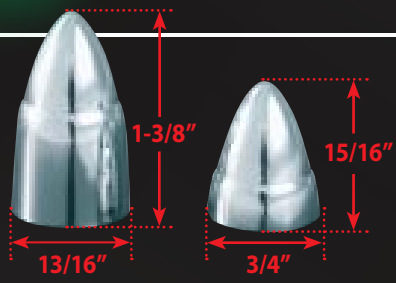


## BANJO BOLT COVER

This trick little cover erases nasty looking zinc or cad-plated brake line fittings that are very prone to rust or corrosion. They also add finishing detail to master cylinders & calipers.



**2015 | Banjo Bolt Cover (ea) | \$14.99**  
Fits: Most Cruisers with Banjo Fittings Requiring a 12mm wrench



## BULLET COVERS for Bolts & Banjo Bolts

Adds the finishing touches to Kuryakyn's Deluxe Master Cylinder Covers for VTX (P/N's 9187 & 9188).

<b>1230</b>	<b>Small Bullet Cover (ea)</b> Fits: All VTX 1300 & 1800 Models - Hand Control Brake Banjo Bolt, 12mm Brake Caliper Bolts, Most 12mm & 7/16 Hex Bolts (Universal fit)	<b>\$14.99</b>
<b>1231</b>	<b>Bullet Banjo Bolt Covers (ea)</b> Fits: All VTX 1800 Models - Hand Control Clutch Banjo Bolt, Most Banjo Bolts require a 12mm wrench & only have 1 line protruding (Universal fit)	<b>\$15.99</b>

# HANDLEBAR ACCESSORIES

G R I P S

*The Perfect Answer!  
Great Sized Speakers with  
Unbelievable Sound!*



## THE SOUND OF CHROME™

This system ROCKS! With perfectly designed 3" main speakers & additional tweeters for full-bodied sound- there is no compromise here. These weatherproof beauties have a built-in powerful 50 watt amplifier & include a volume & on/off control switch. 1" mounting clamp with swivel adjustment gives you the freedom to position speakers in any direction you choose. With a full plug & play wiring harness, noise purifier & standard 3.5mm jack, simply connect your iPod, MP3 player, satellite radio, personal CD player, etc. & ride on.

Fits: 1" bars

852 | The Sound of Chrome (set) | \$399.99

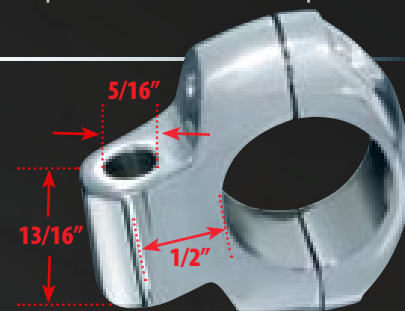


## HANDLEBAR ELECTRICAL POWER POINT

Perfect for plugging in your cell phone, iPod, air pump or any other electrical devices taken on the road. This power point/cigarette lighter will keep them charged. Built into our Silver Bullet light housing & mounts on 1" handlebars or on any 1" bar. Comes with everything you need to connect directly to your battery with a quick disconnect.

Fits: Universal 1" bar

1423 | Universal Handlebar Electrical Power Point (ea) | \$59.99



## 1" HANDLEBAR CLAMP

Universal mount for 1" bars. It's excellent for mounting mirrors, but is also a great assistant in mounting other accessories for your bike.

1420 | 1" Handlebar Clamp (ea) | \$9.99



## THE POD II

Add storage & an electrical power point/cigarette lighter at your fingertips! Mounts directly to the back of your windshield. Comes with two rubber lined closable compartments, a rubber top seal, slotted mounting holes, & additional hardware.

Fits: Universal fitment for Memphis Slims & Fats or other Models with one center bolt & 5-13/16" to 6-1/2" center-to-center spacing from center bolt out to second bolt.

1419 | The Pod II (ea) | \$99.99

Note: Installation requires space for the Pod II to attach to your windshield. The Pod II is 13-1/2" wide, 5" deep, 4" tall. Extends 3-1/2" down from mounting bolts

## ROADRUNNER DRINK HOLDER By Leader

Secure this two-piece chrome-plated billet clamp to the handlebars of most Cruisers & slide the chrome cup holder ring in place. The patented multi-faceted lug on the ring makes it possible to position the cup vertically no matter the angle of the bars. Includes 16-ounce stainless cup.

3686 | Roadrunner for 1-1/4" Bars (ea) | \$84.99

3687 | Roadrunner for 1" Bars (ea) | \$84.99





# UNIVERSAL DRINK HOLDERS



Bring your beverage with you on those hot or cold days! Mount your drink holder either on your 1" handlebars or your clutch or brake perch mounts. The quick detach thumb screw mount leaves a simple clamp when not in use & allows your beverage to swivel when needed. For 1" handlebars choose either the Universal Basket Holder or Stainless Mug with Mounting Ring to hold your beverage.



1422

Quick Detach

## For 1" Handlebars

1422	Universal Drink Holder with Basket (ea)	\$59.99
1429	Replacement Basket for Drink Holder (ea)	\$19.99
1464	Universal Drink Holder with Stainless Mug (ea)	\$59.99

Note: Universal Basket Holder accepts most average sized cups, cans, bottles & mugs with a 2" to 3-1/2" diameter.

## For Clutch or Brake Perch Mounts

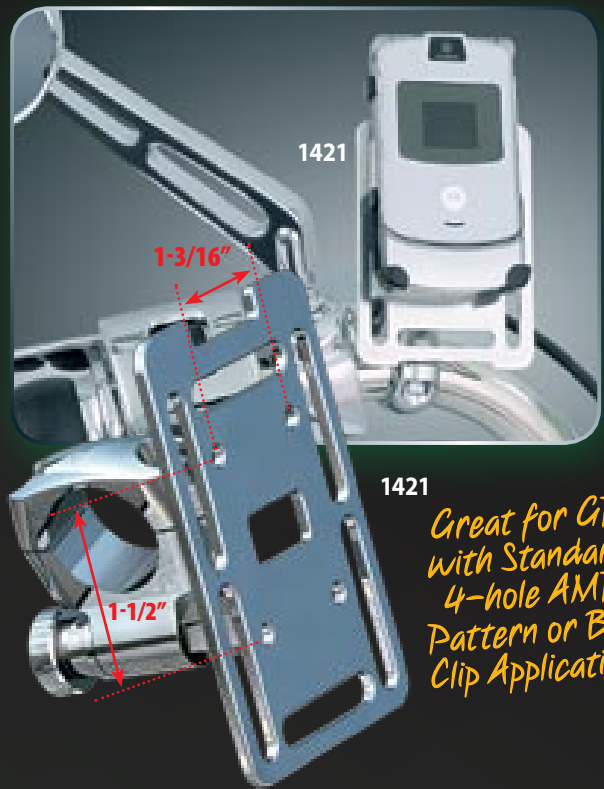
1463	Universal Drink Holder with Stainless Mug (ea) Fits: Universal for Clutch or Brake Perch Mounting, bolts vertical spacing center to center at 1-1/16" to 1-1/2" apart to accept included m6x1 or 1/4-20 bolts Honda: All GL1500/1800 Models, all VTX1300/1800 Models, Shadow 750 Aero, Ace & Spirit, Shadow 1100 Kawasaki: All Vulcan 900 Models, Vulcan 1500/1600 Including Mean Streak, all Vulcan 2000 Suzuki: Boulevard M/C 50/C90/M109 Yamaha: All Road Star & Warrior Models, all V Star Models, all Venture Models	\$59.99
1469	Replacement Stainless Steel Kuryakyn Travel Mug (ea)	\$16.99

Note: Clutch & Brake Perch Mounts do not install with Kuryakyn Master Cylinder Covers (P/N 9188, 9106, 9187, 7813, & 1743)



1463

Unfinished Prototype Shown: Brackets Will Be Chromed



1421

1-3/16"

1-1/2"

Great for GPS with Standard 4-hole AMP Pattern or Belt Clip Applications

# UNIVERSAL HANDLEBAR ACCESSORY MOUNTS



Attach your cell phone, mp3 player & almost any portable device directly to your handlebars using this mount. The quick detach mounting plate leaves a simple clamp when it is not in use.

- Drilled with standard 4-hole AMPS pattern
- Includes hook-&-loop straps
- Accepts most belt clips



1461

Quick Detach

Rendering Shown-final design may vary.

1421	Universal Handlebar Accessory Mount for 1" Handlebars (ea) Fits: All 1" Handlebars	\$39.99
1461	Universal Handlebar Accessory Mount for Clutch or Brake Perch Mounts (ea) Fits: Universal for Clutch or Brake Perch Mounting, bolts vertical spacing center to center at 1-1/16" to 1-1/2" apart to accept included m6x1 or 1/4-20 bolts. Honda: All GL1500/1800 Models, all VTX1300/1800 Models, Shadow 750 Aero, Ace & Spirit, Shadow 1100 Kawasaki: All Vulcan 900 Models, Vulcan 1500/1600 Including Mean Streak, all Vulcan 2000 Suzuki: Boulevard M/C 50, C90, M109 Yamaha: All Road Star & Warrior Models, all V Star Models, all Venture Models	\$59.99

Note: Clutch & Brake Perch Mounts do not install with Kuryakyn Master Cylinder Covers (P/N 9188, 9106, 9187, 7813, & 1743)



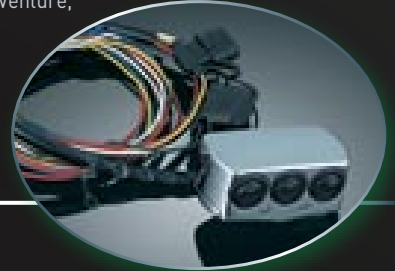
## ACCESSORY SWITCHES

### for Master Cylinder Reservoir Covers

Control your accent lighting & additional motorcycle accessories at the tip of your fingers with these master cylinder Accessory Switches. Rated for 12V & up to 10 Amp accessories each, these switches add convenience & style to controlling those extras you add to your motorcycle.

**Fits: Honda:** All GL 1500/1800, all VTX 1800/1300, '96-'07 VLX600, '01-'08 750 Spirit, '02-'03 750 Ace Deluxe, '04-'08 750 Aero, '96-'04 Magna, '97-'99 1100 Ace Tourer, '98-'07 1100 Spirit, '99 1100 Aero, '02-'07 1100 Sabre, '97-'04 Valkyrie (ex. Rune)  
**Yamaha:** '96-'01 Royal Star, '02 Royal Star Venture, '99-'08 Road Star 1600/1700, '02-'08 Road Star Warrior

**7803** | **Accessory Switches for Master Cylinder Reservoir Covers (ea)** | **\$69.99**



## KICKBACK RISERS

Kickback Risers provide immediate relief to those stretching to reach their handlebars. These risers provide approximately 1-1/2" of pull back & 1-3/4" to the rise of stock handlebars. The repositioning of the rider's grip point reduces the stress & pain most riders feel in their neck, back & shoulders. The relocation also aids in easier steering & control.



**NEW**



<b>1732</b>	<b>Fits: Yamaha:</b> '98-'08 V Star 650 & 1100, '99-'08 Road Star, '02-'08 Warrior, & '96-'01 Royal Star (Will not fit V Star 1300, Venture, Roadliner/Stratoliner, Royal Star Tour Deluxe) <b>(pr)</b>	<b>\$119.99</b>
<b>1733</b>	<b>Fits: Honda:</b> All VTX1300/1800 Models (C Models*), all '01-'08 Shadow 750 Spirit/Aero, '97-'07 Spirit 1100, '00-'07 Sabre 1100, all VLX 600 Models, & '99-'03 Magna <b>(pr)</b>	<b>\$139.99</b>
<b>1734</b>	<b>Fits: Kawasaki:</b> All '07-'08 Vulcan 900 Models*, '00-'08 Vulcan 1500 (ex. Drifter) '04-'08 Mean Streak 1600*, '05-'08 Vulcan 2000 Models, ( Will not fit Vulcan 1600) <b>Suzuki:</b> All '05-'08 Boulevard C50 & C90, & '01-'04 VL800 <b>(pr)</b>	<b>\$139.99</b>

**Note:** Installs on most bikes & works with stock control lines & cables with simple re-routing.

**\*Important:** Riser applications only work with OEM handlebars that have separate risers. Motorcycles with risers welded to handlebars will require new handlebars for installation.

## BARON

### 3" BULLET TACHOMETERS

#### for 1" Bars

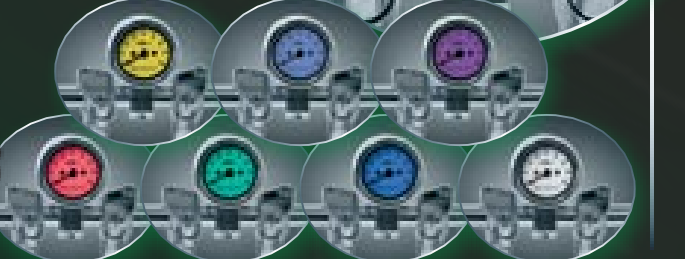
**NEW**

Add this pristine 3" Bullet Tachometer to your bike & gain accurate engine performance & style! Choose between the White Face with 7 Color L.E.D. Lighting Tachometer or the Black Face Tachometer with backlighting. With 0-8,000 RPM range this tachometer is designed specifically for motorcycles to eliminate tach bounce. Includes everything you need for a swift & easy installation. Now you'll love watching your RPM's!

**Fits:** Universal 1" bars for H-D & Metric Cruisers. Works with both single & dual fire ignition

<b>388</b>	<b>3" Bullet Tachometer, Black Face (kit)</b>	<b>\$189.99</b>
<b>389</b>	<b>3" Bullet Tachometer, 7-Color L.E.D. Face (kit)</b> <b>Note:</b> Colors are Yellow, Lt. Blue, Violet, Red, Green, Blue, Pale Blue or rotate through all colors	<b>\$199.99</b>

**Note:** Tachometers have a 3" diameter & are 3.5" long.



## SPEEDOMETER VISOR

Easily affixes to the speedometer. Besides the sleek appearance, you'll really appreciate the reduction in glare if you run a windshield!

<b>4015</b>	<b>Speedo/Tach Visor (ea)</b> <b>Fits: Honda:</b> '02-'06 VTX1800C, Shadow 1100 with Round Speedo on handlebars measuring 3-3/4" <b>Victory:</b> Vegas & Kingpin <b>Universal:</b> Speedometers & tachometers 3-3/4" diameter with 7/16" of exposed bezel/sidewall	<b>\$24.99</b>
<b>4016</b>	<b>Speedo/Tach Visor (ea)</b> <b>Fits:</b> Speedometers & tachometers 3-1/4" diameter with 1/8" of exposed bezel/sidewall	<b>\$24.99</b>

All 7 Colors in One!



## ZOMBIE™ MIRRORS

We've taken your run-of-the-mill skull & added 35% more angst & 20% more anguish to make these the nastiest mirrors on the street. Overall, the mirror head is about 3" x 4" with round glass 3" in diameter. The smoothly arched stem positions the center of the mirror head about 4-3/8" above & 5-1/2" outward of the mounting point on the handlebar control. Mirror Adapters (P/N 1445 or 1446) required for installation on Metric Cruisers.

1450	Zombie Mirrors (pr)	\$139.99
1451	Replacement Knurled Treetops (ea)	\$8.99

Note: Not recommended for buckhorn handlebars.



Add That Sinister Style!

Adapters Required



Adapters Required

## MALTESE CROSS MIRRORS

For your chopper lifestyle we have finely crafted these Maltese Cross design mirrors. The flat glass is surrounded by a heavy, protruding bezel & is accented by a knurled edge for a complete outlaw look. Mirror Adapters (P/N 1445 or 1446) required for installation on Metric Cruisers.

1425	Maltese Cross Mirrors (pr)	\$99.99
------	----------------------------	---------

Note: Not recommended for buckhorn handlebars.

## MIRROR ADAPTERS for Metric Cruisers

These adapters make it possible to use Kuryakyn custom mirrors on Metric Cruisers. Locknuts allow the mirror to be positioned for maximum effectiveness. Order a pair of adapters along with a pair of the mirrors that suit your style.

1445	Mirror Adapters for Honda, Suzuki, Kawasaki & Victory (pr)	\$9.99
1446	Mirror Adapters for Yamaha (pr)	\$9.99



Adapters Required

## BLIND SPOT TURN SIGNAL MIRRORS

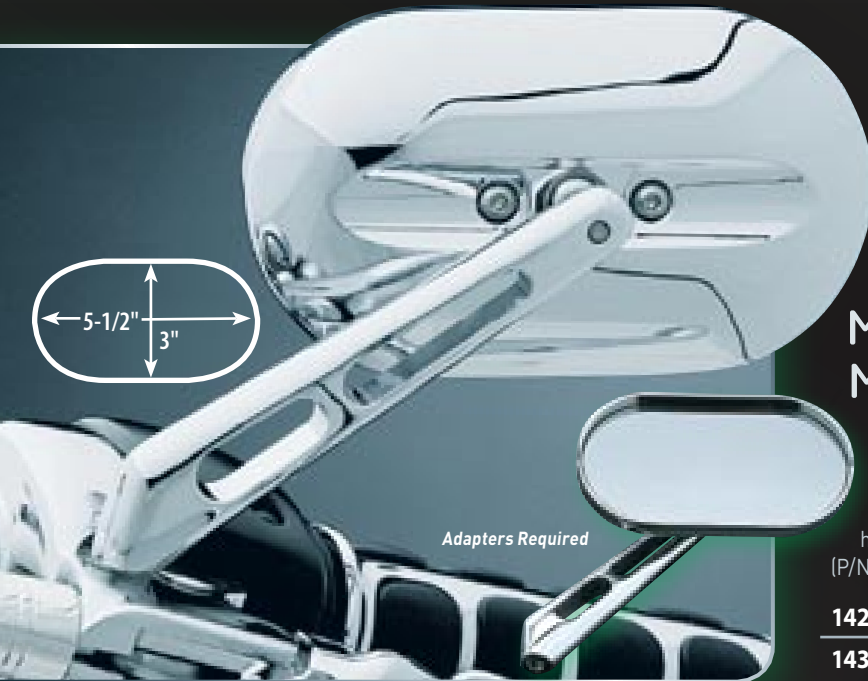
Alert drivers around you of your intention to move! These classy mirrors have an L.E.D. Amber turn signal directed to the side to get the attention of those drivers in your blind spot. The beveled glass & sculpted mirror head moves like silk in a ball & socket mechanism. Mirror Adapters (P/N 1445 or 1446) required for installation on Metric Cruisers.

1435	Blind Spot Turn Signal Mirrors (pr)	\$189.99
------	-------------------------------------	----------

Note: Not recommended for buckhorn handlebars.

1457	Blind Spot Turn Signal Mirror Heads Only (pr)	\$129.99
------	---	----------

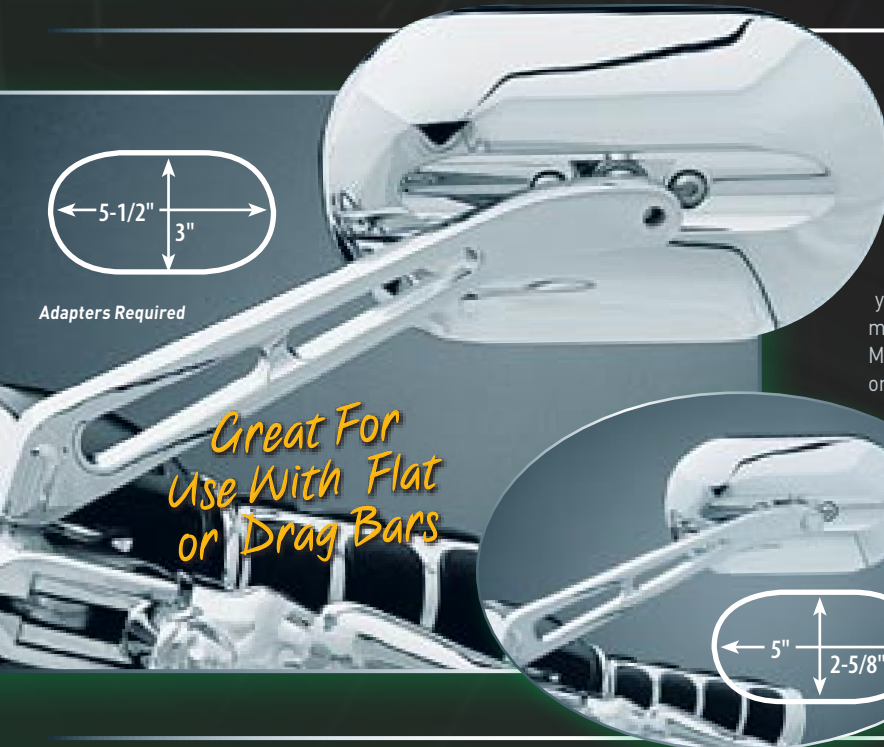
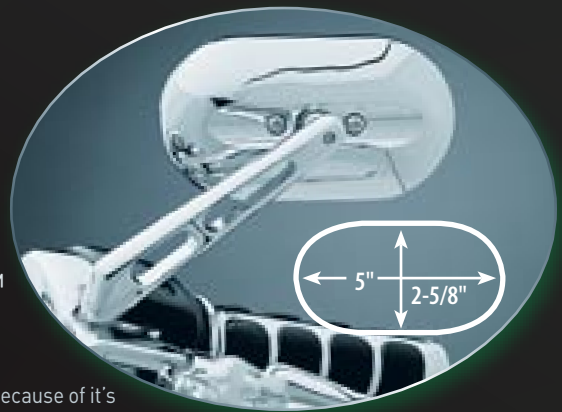
Note: These heads are intended for use on other Kuryakyn stems listed on page 72.



## MAGNUM™ MIRRORS

We call it the Magnum because of its rugged design. Every component has been beefed up. Unlike other flimsy mirrors, ours are made super-tough. Available in two head sizes: 5" x 2-5/8" & 5-1/2" x 3". Magnum Mirrors have a beautiful chrome-plating & a style all their own. Mirror Adapters (P/N 1445 or 1446) required for installation on Metric Cruisers.

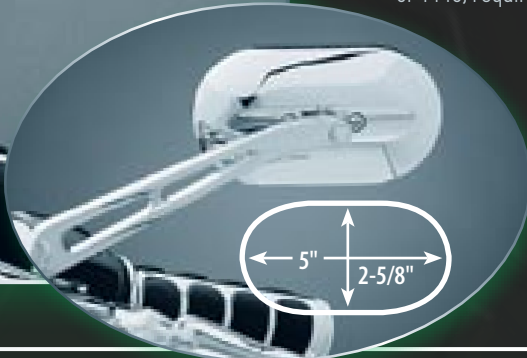
<b>1428</b>	<b>Small Head-Standard Stem (pr)</b>	<b>\$89.99</b>
<b>1430</b>	<b>Large Head-Standard Stem (pr)</b>	<b>\$89.99</b>



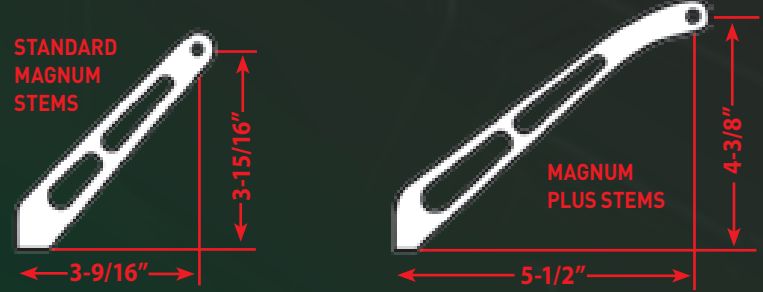
## MAGNUM™ PLUS MIRRORS

Magnum Plus Mirrors feature a stem that moves the mirror head outward 2" farther than our Magnum Mirror. In addition to the standard flat glass, which allows a larger image but a narrower field of view, a convex version is also available. The advantages of convex, reduced image mirrors are two-fold. First, one has a wider field of view with this style mirror, although the image you see does appear smaller, or farther away. Secondly, on bikes with rigid mounted engines, vibration has less of a distorting effect with a convex mirror. All Magnum Plus Mirrors are beautifully chrome-plated. Mirror Adapters (P/N 1445 or 1446) required for installation on Metric Cruisers.

<b>1408</b>	<b>Small Head with Convex Glass-Long Stem (pr)</b>	<b>\$49.99</b>
<b>1409</b>	<b>Large Head with Convex Glass-Long Stem (pr)</b>	<b>\$49.99</b>
<b>1410</b>	<b>Small Head with Flat Glass-Long Stem (pr)</b>	<b>\$49.99</b>
<b>1412</b>	<b>Large Head with Flat Glass-Long Stem (pr)</b>	<b>\$49.99</b>



## REPLACEMENT COMPONENTS FOR MAGNUM & MAGNUM PLUS MIRRORS



### Mirror Heads (not shown)

<b>1417</b>	<b>Small Head with Flat Glass (ea)</b>	<b>\$29.99</b>
<b>1418</b>	<b>Large Head with Flat Glass (ea)</b>	<b>\$29.99</b>
<b>1406</b>	<b>Small Head with Convex Glass (ea)</b>	<b>\$29.99</b>
<b>1407</b>	<b>Large Head with Convex Glass (ea)</b>	<b>\$29.99</b>

### Chrome Mirror Stems

<b>1400</b>	<b>Magnum Plus Stem, Fits Right or Left (ea)</b>	<b>\$24.99</b>
<b>1401</b>	<b>Standard Magnum Stem, Right (ea)</b>	<b>\$19.99</b>
<b>1402</b>	<b>Standard Magnum Stem, Left (ea)</b>	<b>\$19.99</b>



*With Our Exclusive Magnum Plus Stem*

Adapters Required

## ELLIPSE™ MIRROR

These state-of-the-art custom mirrors are cut from the same mold as our Turn Signal Mirrors, but they do not have the running light & turn signal functions. They are available with your choice of flat or convex glass & feature an oversized swivel ball for superior locking ability. Mirror Adapters (P/N 1445 or 1446) required for installation on Metric Cruisers.

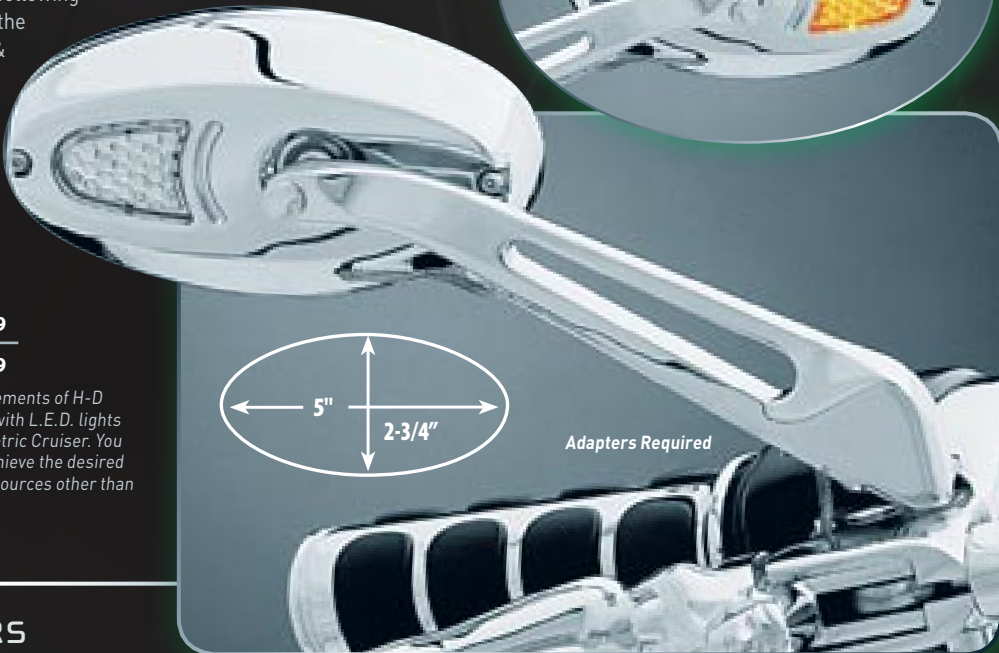
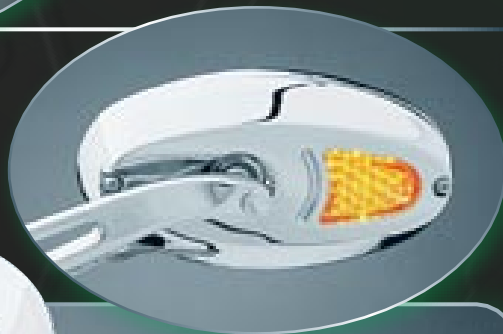
1437	Ellipse Mirrors with Flat Glass (pr)	\$99.99
1438	Ellipse Mirrors with Convex Glass (pr)	\$99.99



## TURN SIGNAL MIRRORS

From the driver's seat, these Kuryakyn original custom mirrors are functional & great looking. Choose either flat or reduced image convex glass. Flat glass gives a more accurate representation of the distance between you & following vehicles. Convex glass provides a wider field of view & lessens the distorting effect of vibration. A heavy duty locking mechanism & swivel ball keep these mirrors adjusted where you want them.

Looking at the mirrors from the front, you'll notice a bank of L.E.D.'s that work as a running light & a super bright auxiliary turn signal. Unlike other lighted mirrors, these lights only face forward so glare is not a factor. The life of this light source will be several times that of incandescent bulbs. Mirror Adapters (P/N 1445 or 1446) required for installation on Metric Cruisers.



Adapters Required

1431	Turn Signal Mirrors with Flat Glass (pr)	\$189.99
1432	Turn Signal Mirrors with Convex Glass (pr)	\$189.99

*Note: These Turn Signal Mirrors were designed to satisfy the flash requirements of H-D motorcycles. The draw produced by these lights, or load equalizers used with L.E.D. lights may or may not be what is needed for proper flash & frequency on your Metric Cruiser. You may have to experiment with different flashers, load equalizers, etc. to achieve the desired flash on your bike. It may be necessary to obtain these components from sources other than Kuryakyn.*



### MIRROR ADAPTERS for Metric Cruisers

These adapters make it possible to use Kuryakyn custom mirrors on Metric Cruisers. Locknuts allow the mirror to be positioned for maximum effectiveness. Order a pair of adapters along with a pair of the mirrors that suit your style.

1445	Mirror Adapters for Honda, Suzuki, Kawasaki & Victory (pr)	\$9.99
1446	Mirror Adapters for Yamaha (pr)	\$9.99

### REPLACEMENT GLASS for Turn Signal & Ellipse Mirrors

1433	Flat Glass with Bezel (ea)	\$24.99
1436	Convex Glass with Bezel (ea)	\$29.99



# SCORCH

## YOUR RIDE

ISO®-FLAME GRIPS  
PG.61-62



**FLAMED  
FLOORBOARD COVERS PG.84**

**ALSO AVAILABLE:  
FLAMED TUBE ACCENTS PG.109**



**FLAMIN' PEGS  
PG.75**



**FLAMIN' SWITCHBLADE  
PEGS PG.75**